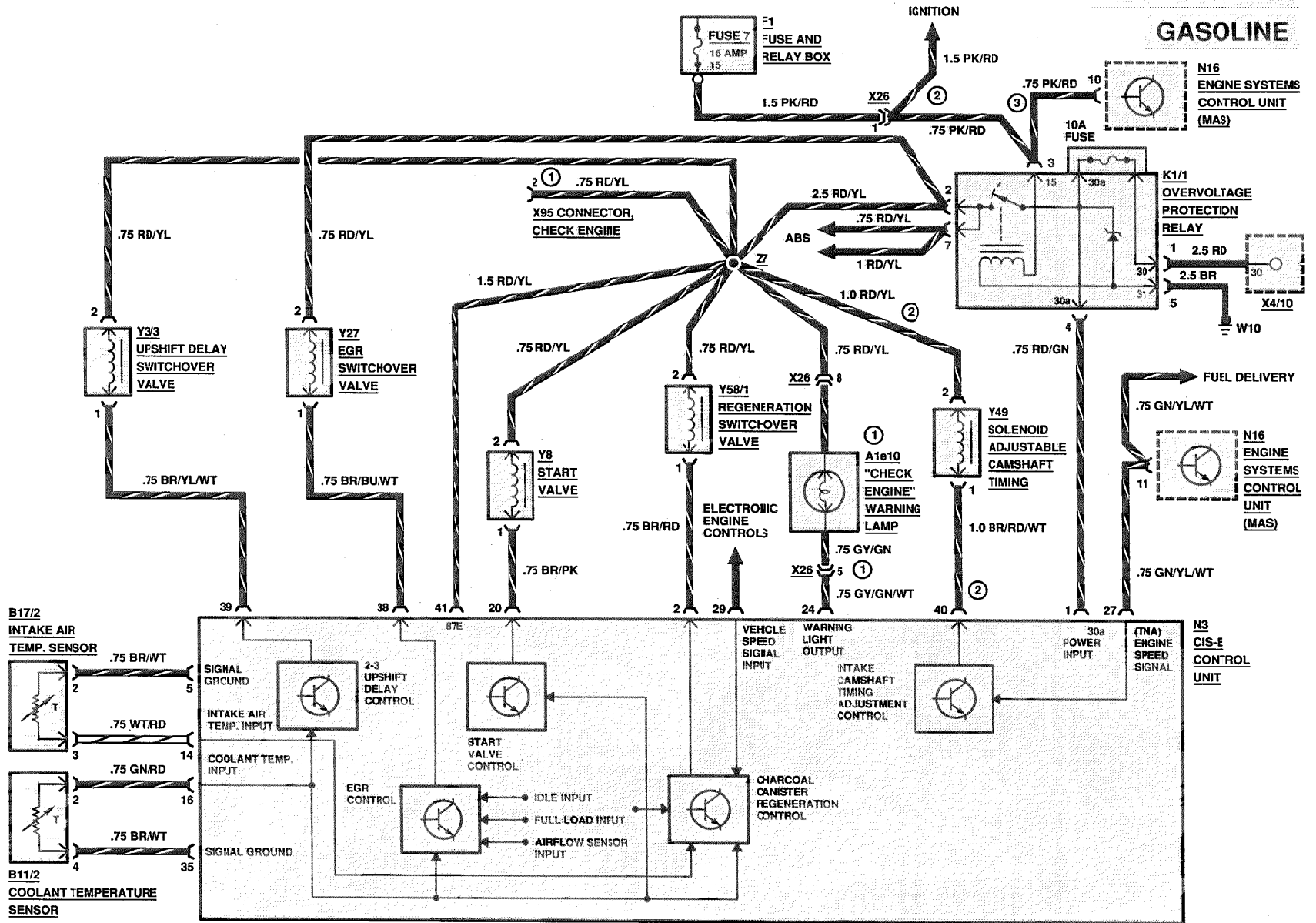


120/3

ELECTRONIC ENGINE CONTROLS/TRANSMISSION SHIFT POINT DELAY AS OF MY 1992

124.0/2



REVISIONS:

- ① ONLY IN CALIF. VEHICLES
- ② ONLY USED IN MODEL 300CE (M104)
- ③ NOT USED ON VEHICLES WITH ASR

Supplement 14